



Self-contained ice maker - Granular system
Daily production up to 66 kg

| | |
|---------------|------------|
| Hotel | ██████████ |
| Restaurant | ██████████ |
| Fast food | ██████████ |
| Bar | ██████████ |
| Disco | ██████████ |
| Fish market | ██████████ |
| Supermarket | ██████████ |
| Medical & SPA | ██████████ |
| Industry | ██████████ |

► Position n°



► **Features & Plus**

- Granular ice - 80-82% dry
- 1l (water) - 1kg (ice) - only Air cooled
- AISI 304 SS Scotch Brite finish
- Tropical class +43°C
- Removable and cleanable air filter
- AISI 304 SS evaporator
- Air or water cooling system
- Easy cleanable internal rounded surfaces
- HCFC-Free insulated storage
- Dust-proof water basin
- RoHS Free
- Disappearing insulated door
- Electromechanical operation
- ON-OFF rocker switch
- Automatic water charge
- Standard and special voltages



AISI 304 SS Scotch Brite finish



Removable and cleanable air filter



AISI 304 SS evaporator



Dust-proof water basin



Disappearing insulated door

► **Prod. 24h**

| °C | Air temp. | | Water temp. | | Kg | Lbs |
|----|-----------|-------|-------------|-------|----|-----|
| | 10° C | 50° F | 7° C | 45° F | | |
| | 21° C | 70° F | 15° C | 60° F | | |
| | | | | | 66 | 146 |
| | | | | | 60 | 132 |

2 Years Warranty
subject to limitations

► **Certifications available for this model**



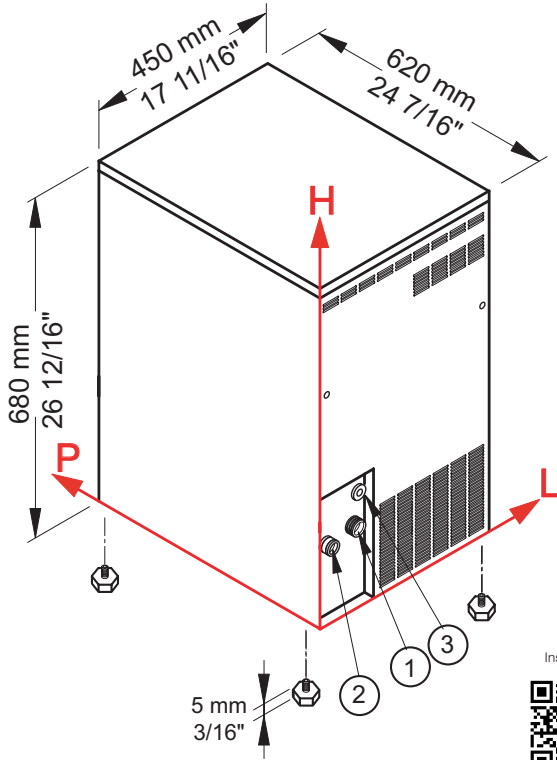


Ice Flakes

GB 601



Self-contained ice maker - Granular system Daily production up to 66 kg



► Working conditions

- Location: **Indoor**

| | Min | Max |
|----------------------|-----------------|-----------------|
| Ambient temperature | +10° C / +50° F | +43° C / 110° F |
| Water temperature | +3° C / +37° F | +32° C / +90° F |
| Voltage | -10% | +10% |
| Water inlet pressure | 1bar (14 psi) | 6bar (84 psi) |

► Performances

| | Air temperature | Water temperature | | | | | |
|--|-----------------|-------------------|---------|-------|---------|-------|---------|
| | | 7° C | 45° F | 15° C | 60° F | 21° C | 70° F |
| | 10° C | 66 kg | | | | | |
| | 50° F | | 146 lbs | | | | |
| | 21° C | | | 60 kg | | | |
| | 70° F | | | | 132 lbs | | |
| | 32° C | | | | | 51 kg | |
| | 90° F | | | | | | 112 lbs |

► Connections

All measures are referred to the rear bottom-left corner (L-H-Ø)

- ① Water in.: 106 mm / 4 3/16" - 135 mm / 5 5/16" - 3/4" ② Water out.: 55 mm / 2 3/16" - 140 mm / 5 8/16" - 24 mm / 15/16"
- ③ Electrical connections: 114 mm / 4 8/16" - 218 mm / 8 9/16"

► Technical information

| | |
|---------------------------|--|
| Production in 24h | 60 kg / 132 lbs |
| Store capacity, up to | 9 kg / 20 lbs |
| Cooling system | A - W |
| Refrigerant | R404A - R452A |
| Standard voltage | 220-240 V ~ 50 Hz |
| Average power consumption | 420 W |
| Fuse | 10 A |
| Finish | AISI 304 stainless steel, scotch brite |

| | |
|----------------------------|--------------------------------|
| Water consumption | A: 1 l/kg - 12,0 gal/100 lbs |
| | W: 5,3 l/kg - 63,5 gal/100 lbs |
| Sizes (L-P-H mm) | 450 - 620 - 680 |
| (L-P-H in) | 17 11/16 - 24 7/16 - 26 12/16 |
| Sizes with pack (L-P-H mm) | 505 - 675 - 850 |
| (L-P-H in) | 19 14/16 - 26 9/16 - 33 7/16 |
| Net weight | 56 kg / 123 lbs |
| Gross weight | 64 kg / 141 lbs |

All the technical information need to be considered at the following conditions:

- Sizes without feet
- Ambient temperature +21° C
- Water temperature +15° C
- Average power consumption at +43° C (standard voltage)
- Refrigerant R404A

Models and specifications are subject to change without notice

Rev. 03 - Issued May 2018



www.bremaice.it
info@bremaice.it

