

LRT50G2HC

MediLine



 GERMAN
ENGINEERING

LIEBHERR

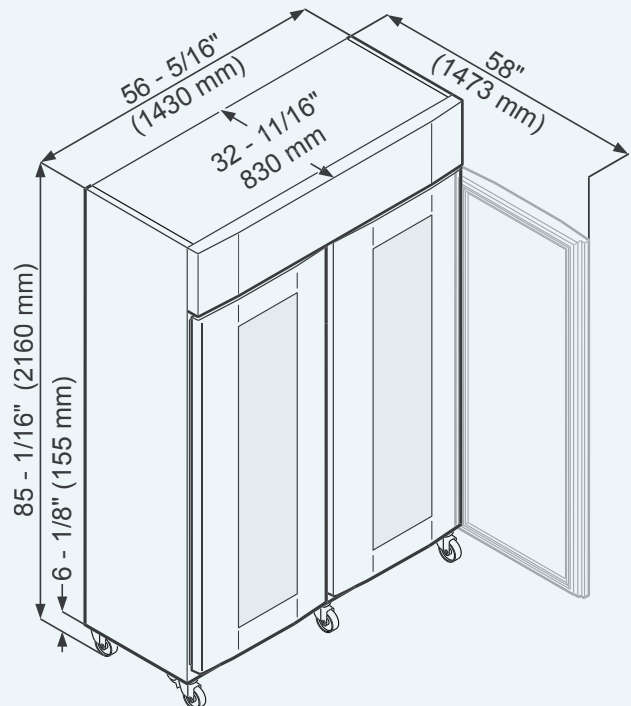
Quality, Design and Innovation

Laboratory Refrigerator with Top Mount Compressor and Electronic Controls, Glass Door



Laboratory refrigerator with electronic controls	LRT50G2HC MediLine	LED
Total gross/net capacity l (cu.ft.)	1398/1357 (49.0/47.5)	
Exterior dimensions in mm (w/d/h)	1430/830/2160	
in inches (w/d/h)	56 5/16"/32 11/16"/85 1/16"	
Interior dimensions in mm (w/d/h)	1236/650/1500	
in inches (w/d/h)	48 11/16"/25 5/8"/59 1/16"	
Energy consumption in 365 days *	1314 kWh	
Ambient temperature in °C (°F)	16°C to 43°C (61°F to 109°F)	
Refrigerant	R290	
Sound rating **	62 dB(A)	
Connection rating	5.0 A	
Frequency/voltage	60 Hz/115V~	
Cooling system/Defrost	forced-air/automatic	
Temperature range in °C (°F)	-2°C to 16°C (28°F to 61°F)	
External cabinet finish	steel/white	
Door/lid material	glass door	
Internal liner material	stainless steel	
Type of control	electronic control	
Temperature display	external digital	
Alarm	visual and audible	
Alarm forwarding	yes	
Interior light	LED ceiling light	
Adjustable shelves	8	
Shelf material	clear-coated wire shelves	
Shelf load weight in kg (lbs)	60 (132.3)	
Usable shelf area in mm (inches)	1236/640 (48 11/16"/25 1/4")	
Casters	casters with brake at the front, casters at the rear	
Handle	full-length integrated handle	
Lock	recessed	
Self-closing door	yes	
Door hinges	left/right hand hinged, not reversible	
Insulation in mm (inches)	83-60 (3 5/16"-2 3/8")	
Gross/net weight in kg (lbs)	270/226 (595.2/498.2)	
Accessories		
Shelf, plastic-coated	7113327	
U-shaped tray slide, right	9001761	
U-shaped tray slide, left	9001757	
Foot pedal opener	9590639	

Unit Dimensions



Subject to alterations.

* Measured unloaded at 26.6°C (80°F) ambient temperature with set point of 3.3°C (38°F).

** Noise level – sound power re 1pW – according to IEC 60704-2-14.