



## Freezer

### FFFH21F6QW

**Frost-Free**  
**20.5 Cu. Ft. Upright**



## Signature Features

### SpaceWise® Organization System

Offers organizational solutions you can customize to fit your needs like SpaceWise® Adjustable Shelving, SpaceWise® Adjustable Door Bins, and SpaceWise® Adjustable Baskets with colour-coordinated clips.

### Bright LED Lighting

Brighter LED theatre lighting so you can spend less time digging through your freezer for items.<sup>1</sup>

### SpaceWise® Adjustable Baskets with Colour-Coordinated Clips

Take organization to the next level with our heavy-duty adjustable plastic baskets with colour-coordinated clips that snap-on, and can be used to organize items by categories or purchase date so items are much easier to find.

### Frost-Free Operation

Never defrost your freezer again so you can spend time on more important things.

### Product Dimensions

Height (Including Hinges)	73-3/16"
Width	34"
Depth (Including Door)	30-1/2"

### More Easy-To-Use Features

#### ENERGY STAR®-Qualified

Save money on your utility bills with ENERGY STAR®-Qualified appliances.

#### SpaceWise® Adjustable Door Bins

Flexible storage options, with door bins designed to reposition with ease to fit your needs.

#### SpaceWise® Pizza Shelf

Keep frozen pizzas organized on the pizza shelf so you have easy access when you want to heat one up.

#### SpaceWise® Adjustable Shelving

Adjustable shelf allows you to customize your freezer so you can fit different size items as your needs change.

#### Lock with Pop-Out Key

The freezer key automatically ejects after locking the door so you won't leave it in the door.

#### Soft Freeze™ Zone

A bin that remains slightly warmer than the freezer interior for convenient storage for soft freeze items such as ice cream.

#### Power-On Indicator Light

Know at a glance that your freezer is working.

#### Adjustable Temperature Control

Select the correct temperature for your needs.

ENERGY STAR®



Available in:

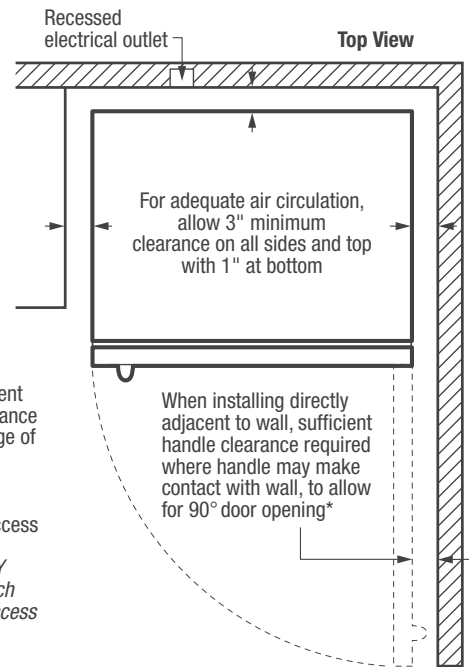
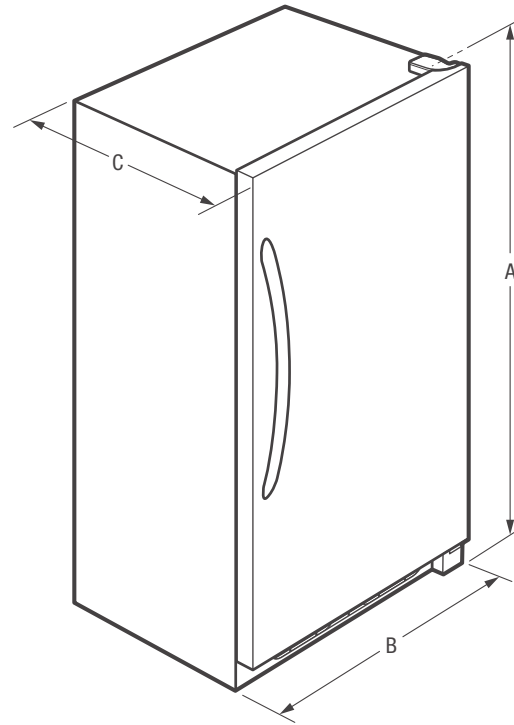


White  
(W)

<sup>1</sup> Compared to Incandescent, 25W and 40W bulbs.

Features	
Door Handle Design	Reach-Through
Reversible Door	
Automatic Door Closer	Yes
Leveling Legs	Yes
Lock with Pop-Out Key	Yes
Defrost	Frost-Free
Adjustable Temperature Control	Express-Select® LED
Front Digital Display	Yes
Temp Display Mode	F/C
High-Temp Duration Readout	Yes
High-Temp Alarm	Yes
Door Ajar Alarm	Yes
Interior Lighting	LED
Full-Width Adjustable Shelves	4 Glass
Full-Width Fixed Shelves	
Removable Trivet	
SpaceWise® Shelf Bookend	
Mid-Level Baskets	1
Lower Storage Basket	1
Basket Dividers	
Retractable Pizza Shelf	Yes
Soft Freeze™ Zone	Yes
SpaceWise® Adjustable Door Bins	3 Clear
Full-Width Door Bins	1
Store-More™ Tilt-Out Wire Door Bins	
Fixed Door Racks	
Defrost Drain	
Power-On Light	Yes
Certifications	
ENERGY STAR®	Yes
CSA Rating	Household
Specifications	
Total Capacity (Cu. Ft.)	20.53
Shelf Area (Sq. Ft.)	13.1
Annual Energy (kWH)	484
Annual Energy Cost (.12/kWH)	\$58
Power Supply Connection Location	Lower Right Rear
Voltage Rating	115V, 60Hz
Connected Load (kW rating) @ 115 Volts¹	.6
Amps @ 115 Volts	5
Minimum Circuit Required (Amps)	15
Shipping Weight (Approx.)	196 Lbs.

¹An electrical supply with grounded three-prong receptacle is required. The power supply circuit must be installed in accordance with current local codes & ordinances.



\* When installing freezer adjacent to wall, cabinet or other appliance that extends beyond front edge of unit, 20" minimum clearance recommended to allow for optimum 140° door swing, providing complete basket access and removal. (Absolute 3" minimum clearance will ONLY allow for 90° door swing which will provide limited basket access with restricted removal.)

When installing directly adjacent to wall, sufficient handle clearance required where handle may make contact with wall, to allow for 90° door opening\*

NOTE: For planning purposes only. Always consult local and national electric codes. Refer to Product Installation Guide for detailed installation instructions on the web at [frigidaire.ca](http://frigidaire.ca).



Product Dimensions	
A - Height (Including Hinges)	73-3/16"
B - Width	34"
C - Depth (Including Door)	30-1/2"
Depth with Door Open 90°	62-1/8"

Accessories information available on the web at [frigidaire.ca](http://frigidaire.ca)